



What you will need:

Bamboo cane
(or garden cane, kebab stick, willow withey, any type of stick...)
Double sided tape
Florist ribbon
(or any ribbon/ shimmer curtain, thin strips of paper or fabric)
Stapler
Scissors

(Optional)

Cardboard, card or foam
(to make a shape for the end- a star or diamond etc)
Glue
Decorative bits and pieces- sequins, beads etc

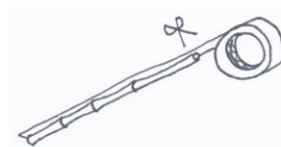
Remember Health and Safety...

* Scissors and staples are sharp- ensure supervision of children.

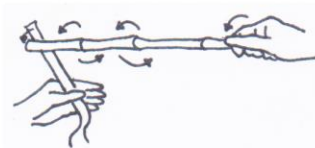
* Ensure there is space around you when waving your wand

How to make a 'Carnival Wand'

1. Attach some double sided tape all the way along the cane.



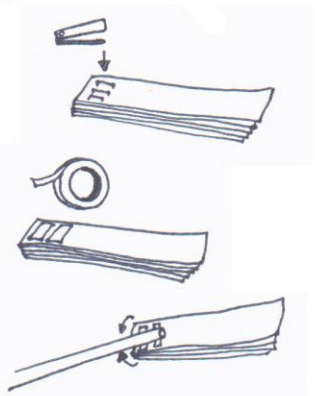
2. Use thin strips of ribbon, fabric or paper (approx 2-3cm wide) to bind your cane. Stick the ribbon or strip on diagonally and start to turn your cane whilst holding the ribbon. (You can work in pairs if easier). Peel the back off the double sided tape slowly as you go along.



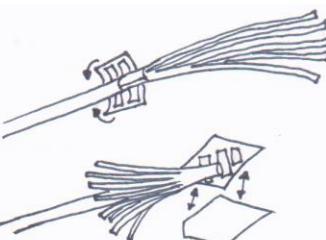
3. At this stage an optional 'candy cane' stripe can be added. Use a different colour. Fix the end with a piece of double sided tape and then wrap it leaving a gap so the base colour can also be seen, tape at the end.



4. To make steamers, gather 5 pieces of florist ribbon (or paper or fabric) approx 30cm long, staple together at one end.



5. Attach double sided tape to the stapled end. Wrap around the end of the cane, steamers can go upwards or downwards depending on the design.



6. Wrap a small piece of ribbon to cover the join or add a shape- star, cricle, diamond etc to cover. You will need the same shape twice- back and front. Sandwich the end of the pole with the shapes using tape and/or glue.

7. Your wand is complete, now wave it about and create some magic!

